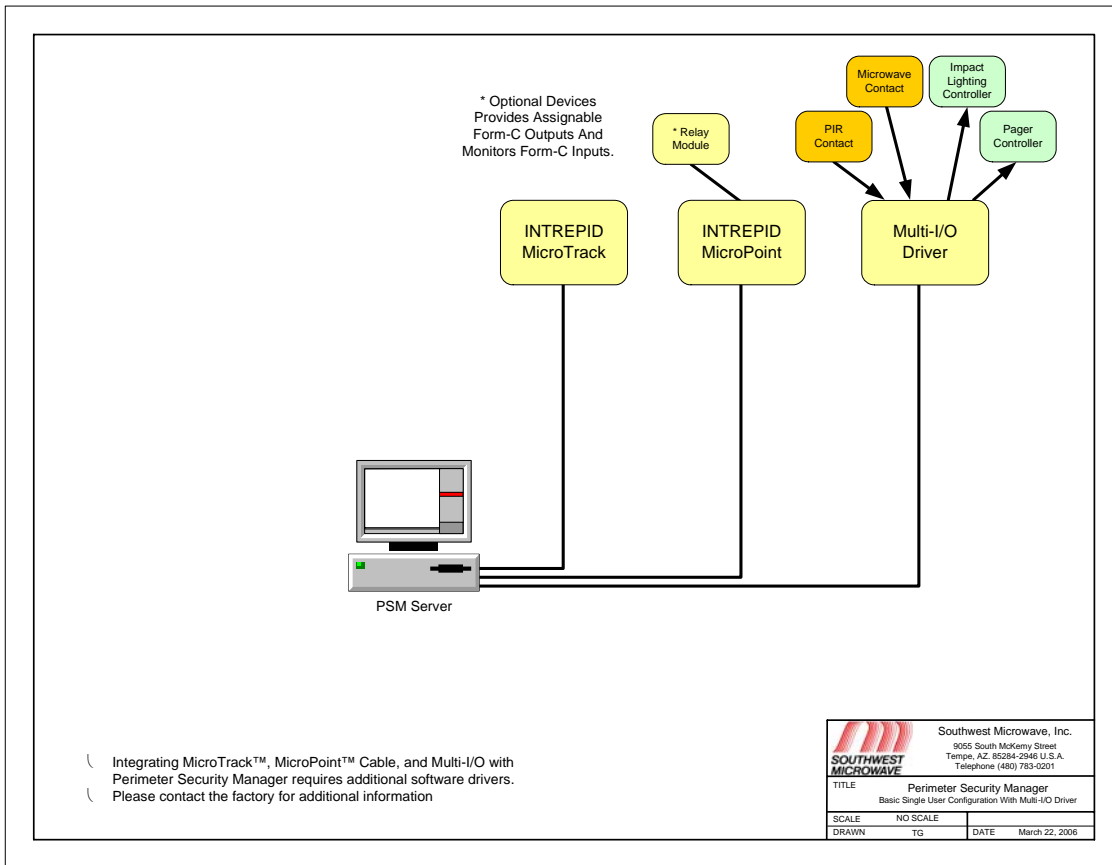


**Southwest Microwave, Inc.**

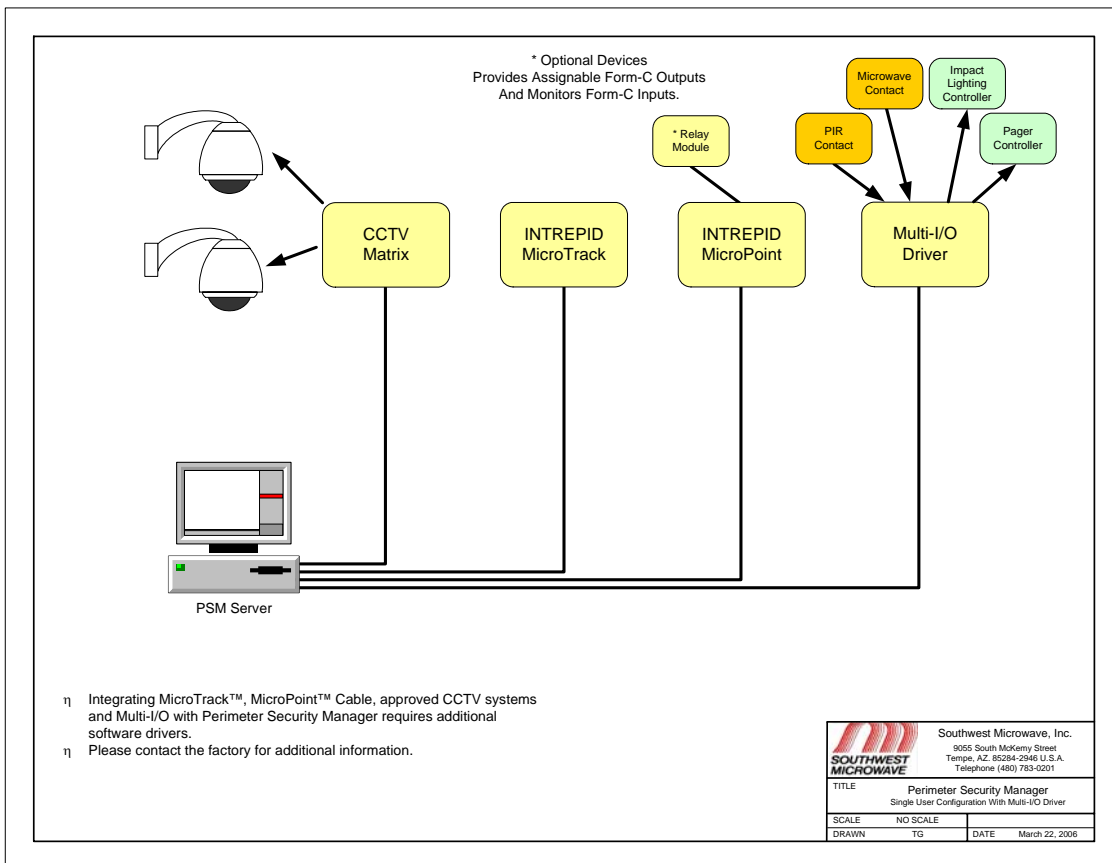
9055 S. McKemy Street  
Tempe, Arizona 85284 USA  
(480) 783-0201 Fax (480) 783-0401

# Typical System Block Diagrams

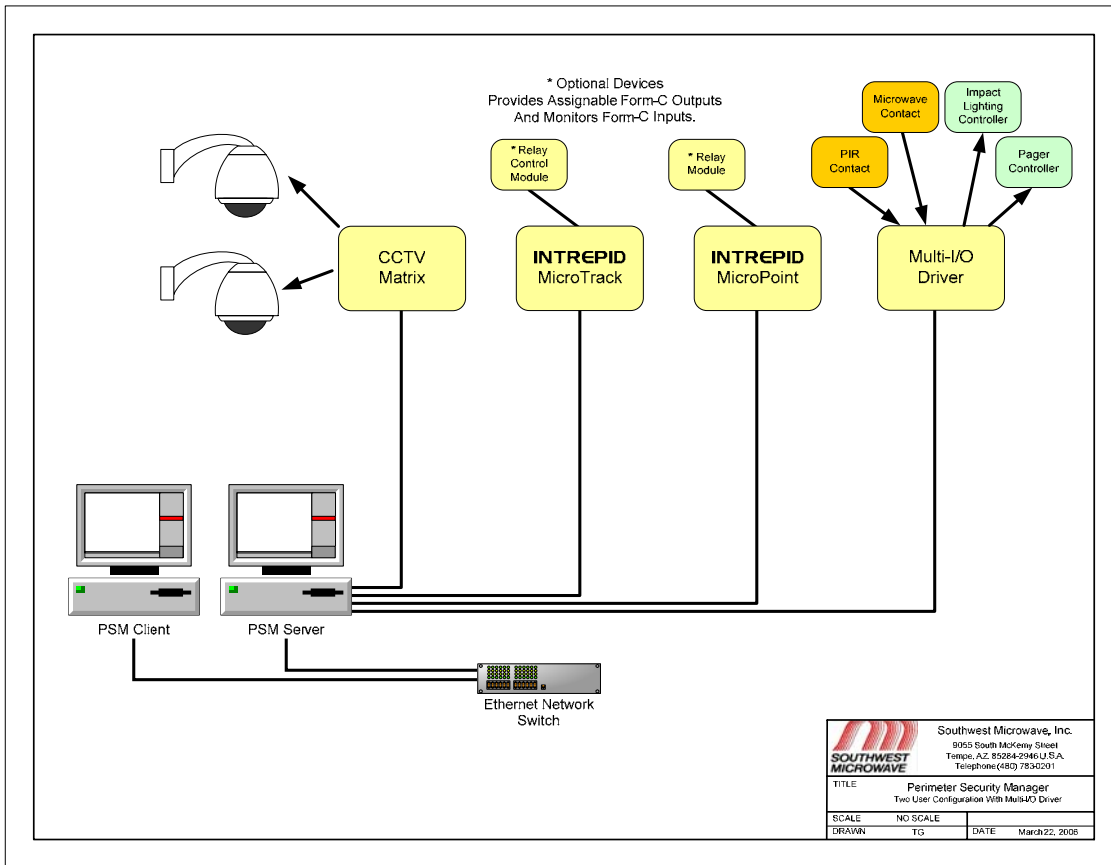
**Perimeter Security Manager  
Security Management System  
5/10/2006**



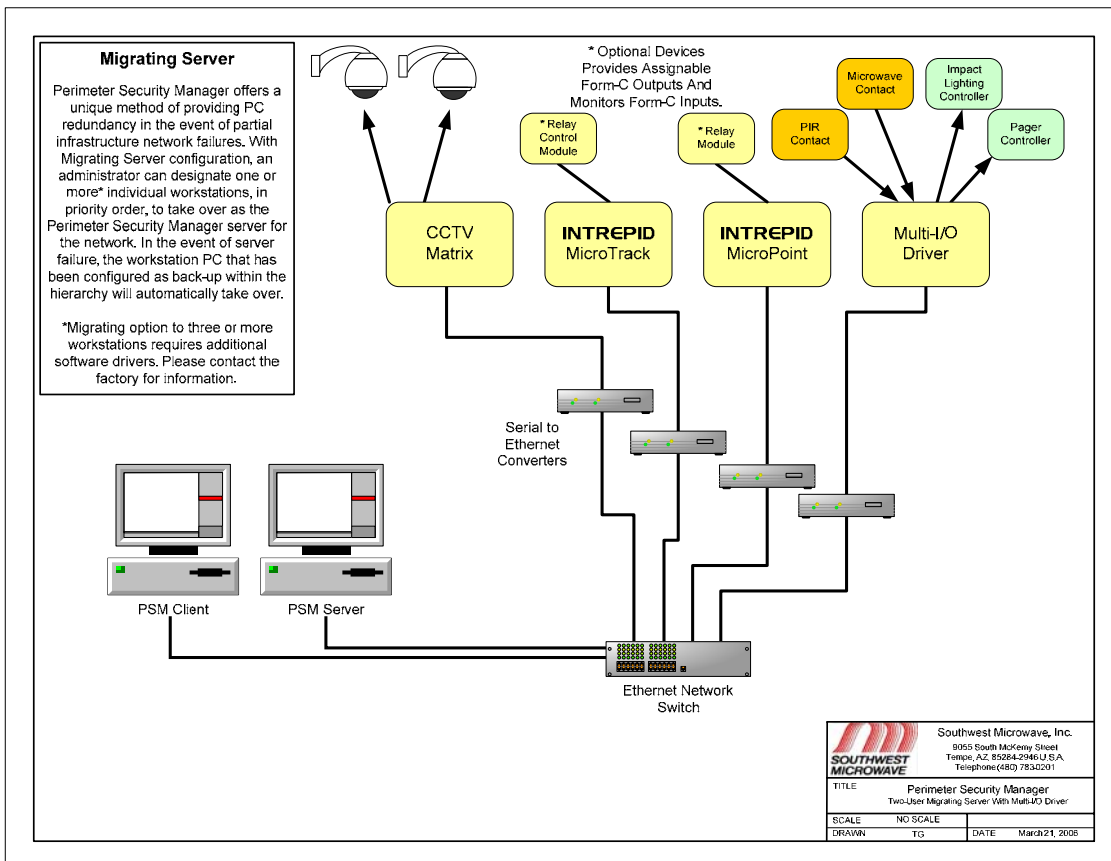
**Figure 1**  
Perimeter Security Manager – Basic Single User with Multi I/O Driver



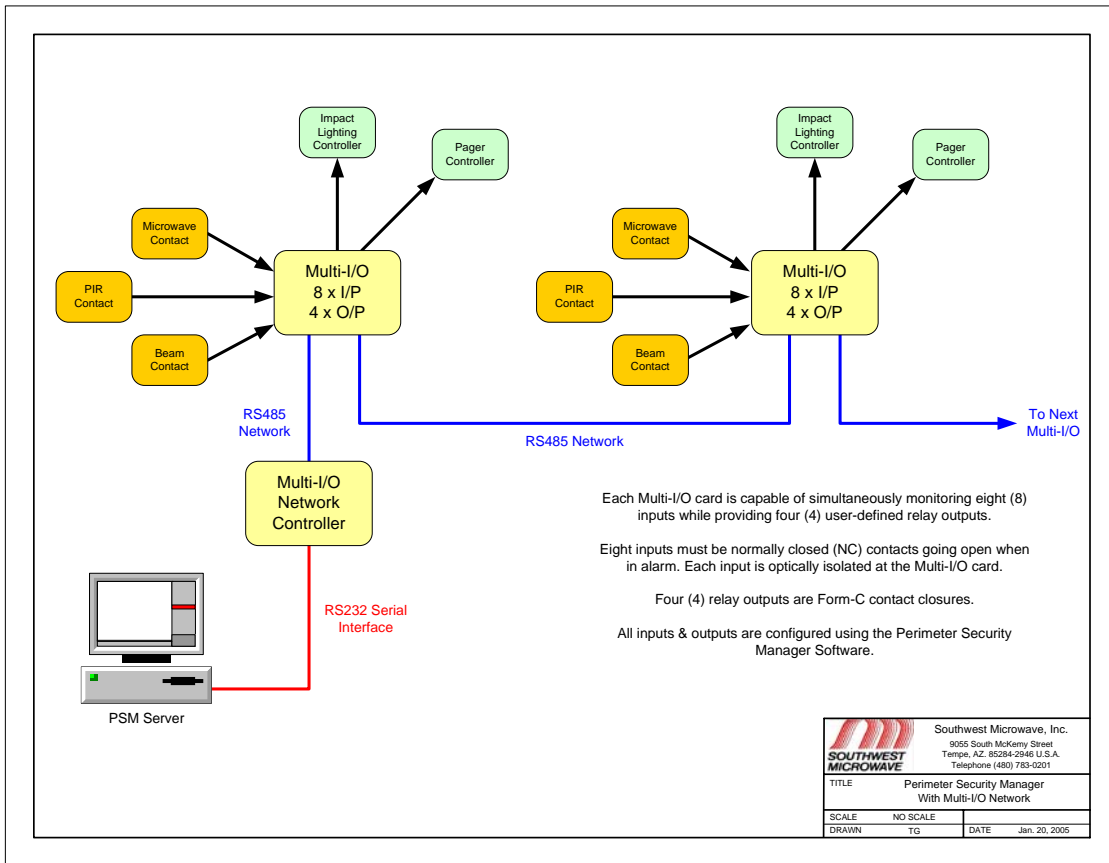
**Figure 2**  
Perimeter Security Manager – Basic Single User with Multi I/O and CCTV Driver



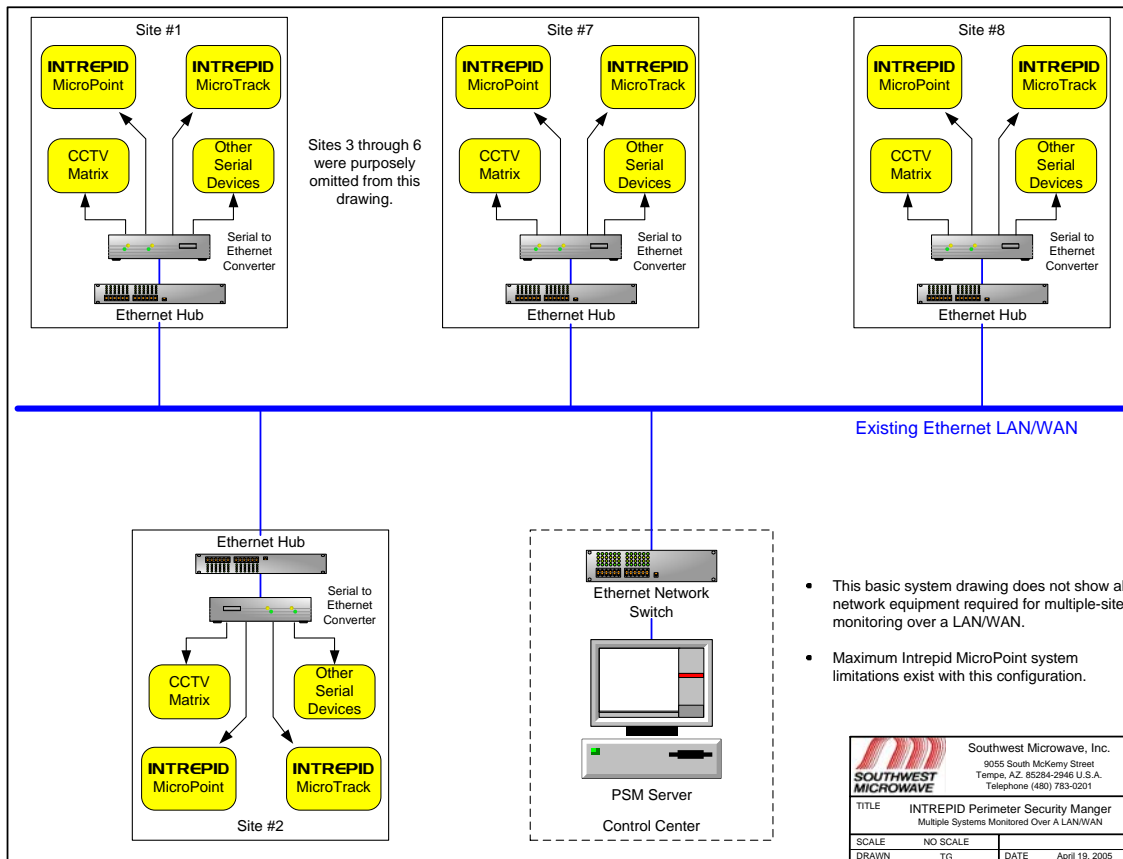
**Figure 3**  
Perimeter Security Manager – Two User Configuration with Multi I/O Driver



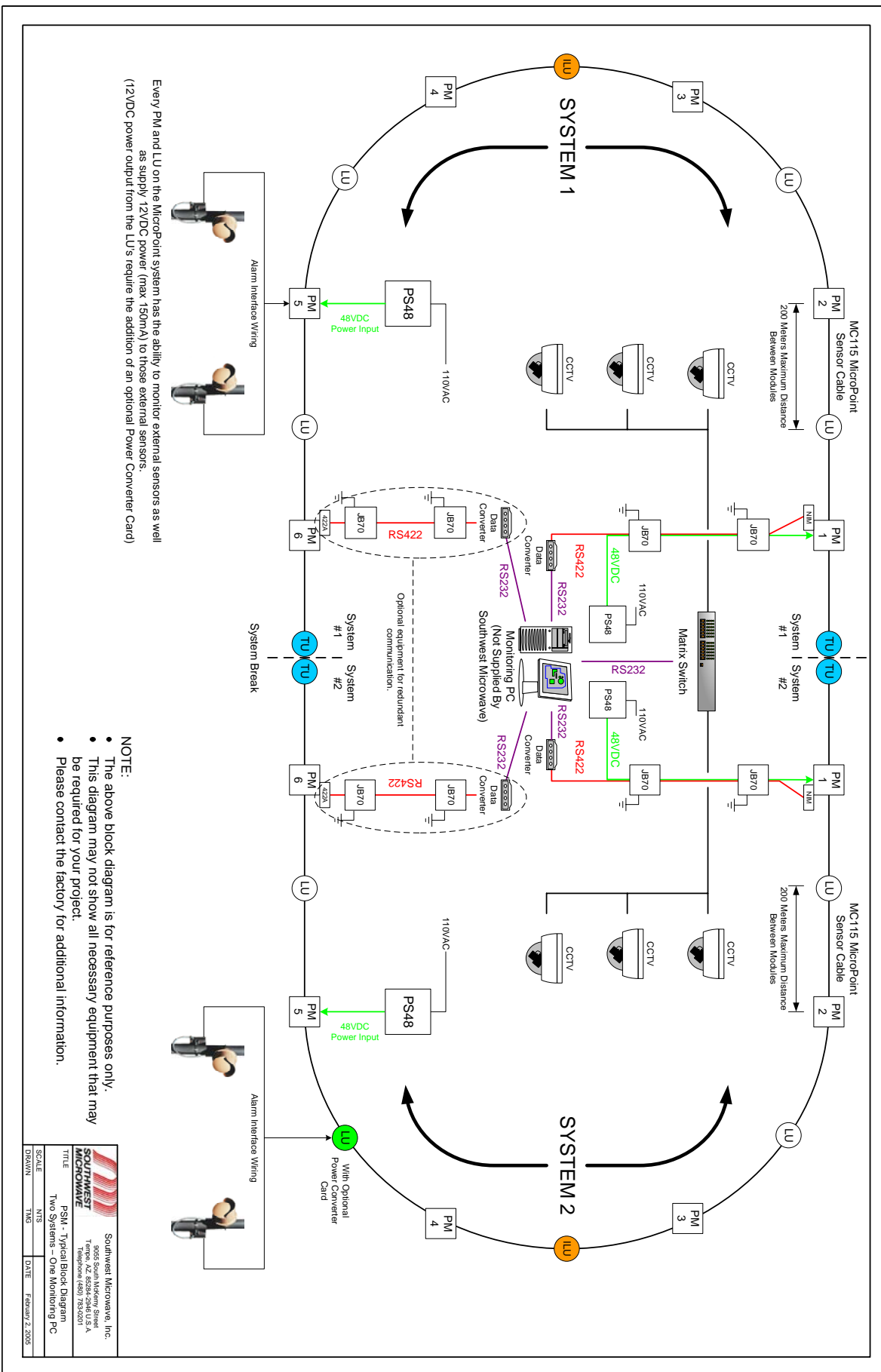
**Figure 4**  
Perimeter Security Manager – Two User Migrating Server with Multi I/O Driver



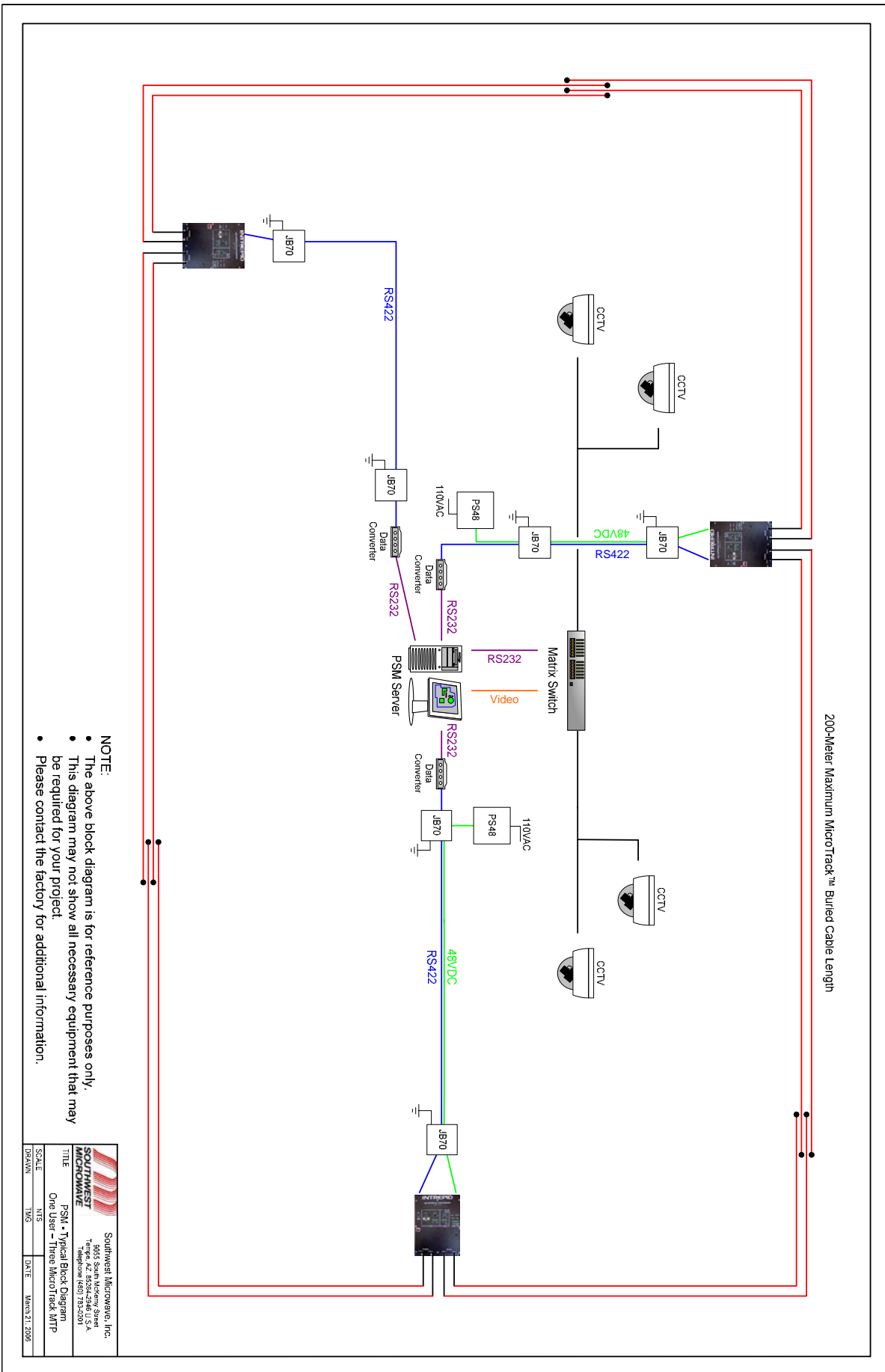
**Figure 5**  
Perimeter Security Manager – with Multi I/O Network



**Figure 6**  
Perimeter Security Manager – Multiple Systems Monitored Over a LAN/WAN



**Figure 7**  
 Perimeter Security Manager – Two Systems, One PC



**Figure 8**  
Perimeter Security Manager – One User Three MicroTrack MTP

