

INTREPID™ GRAPHIC ALARM MANAGER

ALARM MONITORING AND CONTROL SYSTEM



INTREPID™ **Graphic Alarm Manager (GAM)** is a dedicated, Windows-based system controller with graphic mapping capabilities designed to provide GUI-based alarm monitoring and control of INTREPID™ Series II and POE-S intrusion detection systems, contact closure auxiliary security devices and CCTV equipment via relays or output commands.

Graphic Alarm Manager application software provides robust system configuration and management. The platform features a user-friendly GUI that enables system operators to efficiently manage their facility's perimeter security program by incorporating a high-resolution site map to display detection zones and active transparent icons representing each system device's assignable alarm points.

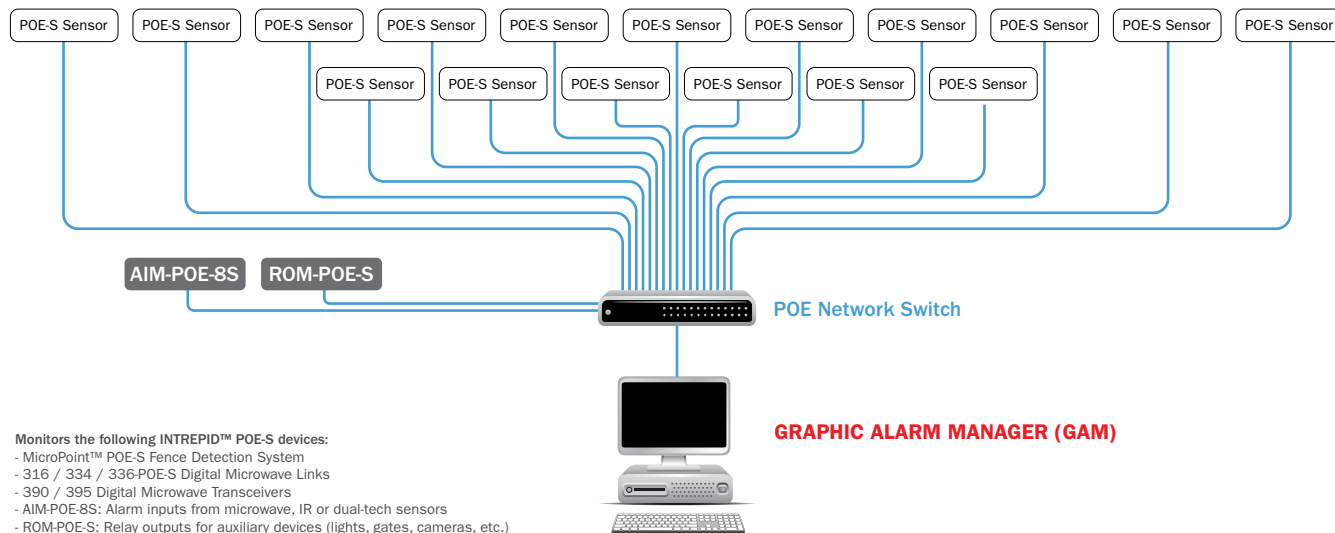
For monitoring of INTREPID™ POE-S systems, Graphic Alarm Manager functions as system Poll Master - polling all INTREPID™ POE-S IP-based devices connected via TCP/IP network for status. When an intrusion attempt is detected from any INTREPID™ POE-S device or auxiliary input, its precise location is displayed on the graphic map, and a command is issued to the appropriate output(s).

For monitoring of INTREPID™ Series II devices, Graphic Alarm Manager connects to Southwest Microwave's Remote Polling Module II (RPM II) via TCP/IP network connection, and polls the RPM II for the status of sensors and auxiliary devices connected to its Communications port(s). The RPM II reports alarm information to Graphic Alarm Manager, where its precise location is displayed on a graphic map and a command is issued to the appropriate output(s).

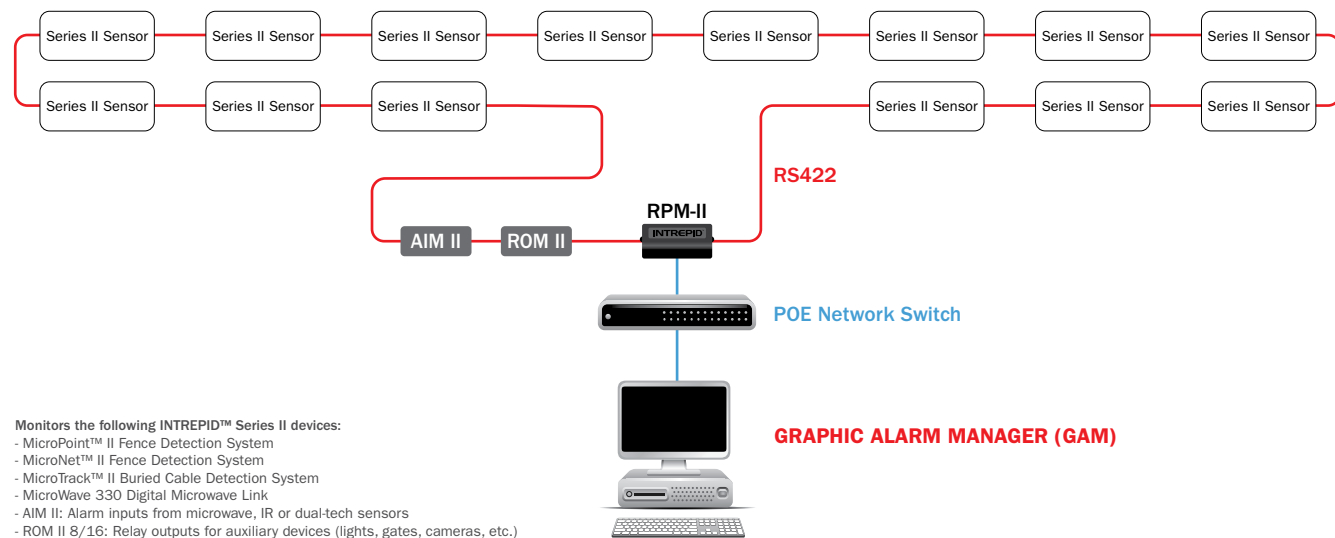
KEY FEATURES

- ECONOMICAL ONE-TIME LICENSING FEE PER PC
- INTUITIVE GRAPHICAL USER INTERFACE (GUI)
- TRANSPARENT ICONS FOR OPTIMIZED LAYOUT
- GUIDED NAVIGATION FOR EASY SETUP
- USER-FRIENDLY OPERATOR CONTROLS
- 256 USER ACCOUNTS, 1024 ZONE RECORDS
- MONITORS UP TO 64 DEVICES
- ZONE SCHEDULER
- ALARM TAGGING AND REPORTS
- BACKUP AND RESTORE CAPABILITY
- LOCAL OR REMOTE ADMINISTRATION
- SUPPORTS MULTIPLE LANGUAGES

INTREPID™ POE-S TYPICAL DEVICE CONFIGURATION



INTREPID™ SERIES II TYPICAL DEVICE CONFIGURATION



SYSTEM REQUIREMENTS AND ORDERING

PC Processor: Intel Quad Core 3.1GHz (i7) or better

Operating System: Windows 10 or 11 Pro 64 bit

Memory: 8GB

Hard Drive: 500GB

LAN: 1GB network port; optional second LAN port

Audio Output: Sound card and speakers

Video Output (1) Monitor: 1GB graphics card supporting DirectX 11, 1024 x 768 display

Video Output (2) Monitors: 2GB dual output graphics card supporting DirectX 11, 1024 x 768 displays

Optical Drive: CD-RW/DVD

Printer Port: Parallel, USB, or network

USB ports: (for keyboard, mouse, printer, monitor)

Language Support: English, Chinese, French, German, Portuguese, Russian, Spanish, Turkish

Ordering Information:

Graphic Alarm Manager - Order GAM

Additional Workstation License - Order GAM-AWL

INTREPID™, MicroPoint™ and MicroTrack™ are trademarks of Southwest Microwave, Inc. Windows® is a registered trademark of Microsoft Corporation. Core™ is a registered trademarks of Intel Corporation. Specifications subject to change without notice.



USA (CORPORATE HEADQUARTERS): Southwest Microwave, Inc., Arizona, USA | Telephone +1 (480) 783-0201

EUROPEAN OFFICES: Southwest Microwave Ltd., Worcestershire, UK | Telephone +44 1386 75 15 11